

Flow sensor type 236 for liquid media

Flow range

1.8 ... 240 l/min

Nominal diameters

DN 10 / 15 / 20 / 25 / 32

Temperature measurement

-40 ... +125 °C



The type 236 is based on the type 210 but incorporates a brass housing. The Vortex Sensor type 236 has a rugged construction of brass connection. This flow sensor is available with a larger variety concerning power supply and outputs.

You can choose between various versions as integrated temperature measurement. With no moving parts the flow sensor is not sensitive to debris, has marginal pressure loss and high accuracy.

- Flow measuring with voltage, current or frequency output
- Temperature non-sensitive measuring principle
- Excellent media resistance (measuring element not in contact with the media)
- CE conformity
- Wide application temperature range
- Marginal loss of pressure
- Measuring element not sensitive to debris
- Direct temperature measurement in the medium
- Drinking water approval WRAS, ACS

Technical Overview

Flow measurement

Measuring principle	Vortex		Piezoelectric sensor element	
Measuring range			1.8 ... 240 l/min	
Nominal diameters			DN 10 / 15 / 20 / 25 / 32	
Accuracy at < 50% fs (water)	< 1% fs			
Accuracy at > 50% fs (water)	< 2% measuring value			
Response time	Immediately	Frequency output	Signal delay	< 100 ms
	Therefore suitable for spigot use.		Response time	< 5 ms
Response time			Analogue output	Signal delay < 2 s
				Response time < 500 ms

Temperature measurement

Measuring principle	Resistance		PT1000	
Measuring range			-40 ... +125 °C	
PT1000	Accuracy	class B DIN EN 60751	@ T = 0 °C	± 0.3 K
			@ T ≠ 0 °C	± 0.3 K ± 0.005 * ΔT
0 ... 10 V		Measuring range	-25 ... +125 °C	
			Accuracy	± 0.5 K ± 0.005 * ΔT
Temperature influences		Calculation temperature	T (°C) = ±150 °C * U _{OUT,T} - 25 °C	
			10 V	
Temperature influences		Self-heating at temperature sensor	1 K/mW	
		Conduction resistance to connector	0.8 Ohm	

Operating conditions

Medium	Suitable for heating circuit water with the usual additives Drinking water	Other medium on request
temperature	Media	≤ +125 °C
	Ambient	-15 ... +85 °C
	Storage	-30 ... +85 °C
Max. pressure and medium temperature	(for lifetime)	12 bar at +40 °C
	(for lifetime)	6 bar at +100 °C
	(for 600 hours)	4 bar at +125 °C
	(for 2 hours)	4 bar at +140 °C
Cavitation	The following equation is valid to prevent cavitation:	$P_{abs, outlet} / P_{difference} > 5.5$
		(max. test pressure)

Materials in contact with medium (FDA-conform)

Sensor paddle	ETFE
Case with damming body	Brass (CuZn40Pb2), PA6T/6I (40% GF)
Sealing material	EPDM (perox.) (for drinking water) FPM

Electrical overview

		Frequency output	Voltage output	Current output
Power supply	U _{IN}	4.75 ... 33 VDC	11.5 ... 33 VDC	8 ... 33 VDC
Output	Frequency square pulse signal	U _{OUT_Q, frequency}	-	-
Flow (Q)	Analogue signal	U _{OUT_Q} or I _{OUT}	0 ... 10 V	4 ... 20 mA
Output	Resistant signal	R _{OUT_PT1000}	PT1000 class B DIN EN 60751	-
temperature (T)	Voltage signal	U _{OUT_T}	0 ... 10 V	-
Electrical connection and protection class			M12x1 (IP 65)	M12x1 (IP 65)
Load against GND or IN			< 1 mA / < 100 nF	< 6 mA / < 100 nF ¹⁾
Current consumption load free (I _{IN})			< 2 mA	< (U _{IN} - 8 V) / 20 mA
Electrical reliability	Short circuit, reverse voltage and external voltage protected within the admissible supply voltage.			

Weight

	with thread K	with thread M	with thread G
DN 10 with condensation protection	~ 200 g	~ 241 g	~ 307 g
DN 15 with condensation protection	~ 250 g	-	~ 310 g
DN 20 with condensation protection	~ 378 g	-	~ 490 g
DN 25 with condensation protection	~ 303 g	-	~ 707 g
DN 32 with condensation protection	-	-	~ 696 g

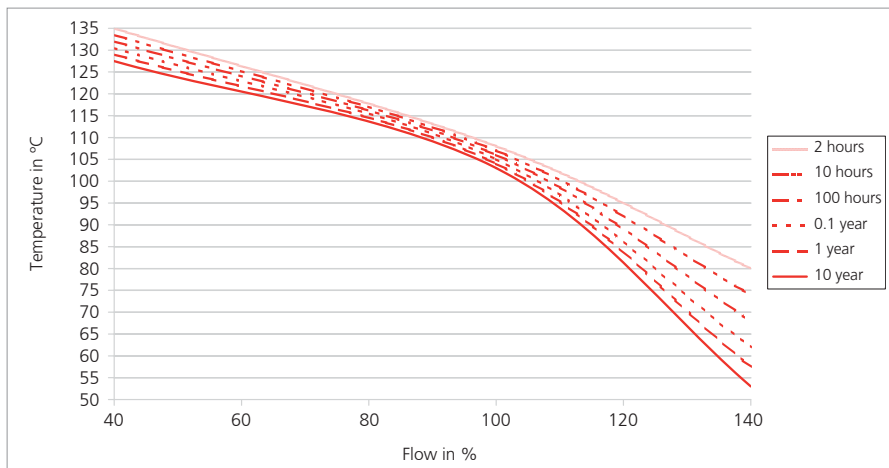
Test / Admissions

Electromagnetic compatibility	CE conformity acc. to EN 61326-2-3
Drinking water approval	WRAS, ACS
	Plastic parts with KTW and W270 approval

Packaging

Single packaging	
Multiple packaging	

Minimum life span on high flow rate and high temperature



Nominal diameters dependent variables

Nominal diameters	Tube connection	Measuring range	Quantity per pulse @ 50% fs	Flow range	Frequency range	Q ₀	K _f	K _U	K _I	Pressure drop ^{1), 2)}
DN 10	K	1.8 ... 32 l/min	1.416 ml	0.265 ... 4.716 m/s	23 ... 374 Hz	-0.2	0.0860	3.2	2.000	22.50 * Q ²
	G, M		1.386 ml		24 ... 380 Hz		0.0847			
DN 10	K	2.0 ... 40 l/min	1.419 ml	0.295 ... 5.895 m/s	26 ... 467 Hz	-0.2	0.0860	4.0	2.500	22.50 * Q ²
	G, M		1.386 ml		26 ... 479 Hz		0.0840			
DN 15	K	3.5 ... 50 l/min	3.036 ml	0.290 ... 4.145 m/s	20 ... 273 Hz	-0.2	0.1836	5.0	3.125	6.70 * Q ²
	G		2.993 ml		20 ... 277 Hz		0.1810			
DN 20	K	5.0 ... 85 l/min	6.173 ml	0.265 ... 4.509 m/s	14 ... 229 Hz	-0.3	0.3730	8.5	5.313	2.50 * Q ²
	G		6.140 ml		14 ... 230 Hz		0.3710			
DN 25	K	9.0 ... 150 l/min	12.201 ml	0.283 ... 4.709 m/s	13 ... 205 Hz	-0.2	0.7340	15	9.375	0.92 * Q ²
	G		12.134 ml		13 ... 206 Hz		0.7300			
DN 32	K	14 ... 240 l/min	27.513 ml	0.290 ... 4.974 m/s	9 ... 145 Hz	-1.47	1.6710	24	15.000	0.25 * Q ²

Characteristic line formula frequency output

$$Q_V = K_f * f + Q_0$$

Characteristic line formula voltage output

$$Q_V = K_U * U_{OUT}$$

Characteristic line formula current output

$$Q_V = K_I * (I_{OUT} - 4 \text{ mA})$$

Formula quantity per pulse [litres/pulse]

$$\text{quantity pulse} = \frac{Q_V * K_f}{60 * (Q_V - Q_0)}$$

Legend

Q _V	Volume flow rate	[l/min]
Q ₀	Axis intercept	[l/min]
K _f	Coefficient frequency output	[(l/min) / f]
K _U	Coefficient voltage output	[(l/min) / V]
K _I	Coefficient current output	[(l/min) / mA]
f	Frequency	[Hz]
U _{OUT}	Voltage	[V]
I _{OUT}	Current	[mA]
quantity pulse	Quantity per pulse	litres pulse

Order code selection table

236. X X X X X X X

		1	2	3	4	5	6	7
Version	Flow	9				4		
	Flow and temperature (PT1000)	8				5		
	Flow and temperature (0 ... 10 V)	6			3	5		
Nominal diameters and flow range	DN 10 1.8 ... 32 l/min.		1	0				
	DN 10 2.0 ... 40 l/min.		1	1				
	DN 15 3.5 ... 50 l/min.		1	5				K, G
	DN 20 5.0 ... 85 l/min.		2	0				K, G
	DN 25 9.0 ... 150 l/min.		2	5				K, G
	DN 32 14.0 ... 240 l/min.		3	2				K
Output and power supply	Frequency output (Square pulse signal)	8,9			2			
	Analogue signal				3			
Electrical connection	2- or 3-pole (condensation protection)	9				4		
	4- or 5-pole (condensation protection)	8,6				5		
Sealing material	EPDM Ethylene propylene rubber (peroxidically cross-linked)							1
	FPM ³⁾ Fluoro elastomer							2
Tube connection	K (DN 10 - G ½; DN 15 - G ¾; DN 20 - G 1; DN 25 - G 1 ¼; DN 32 - G 1 ½)							K
	M (DN 10 - G ¾)							M
	G (DN 10 - G 1; DN 15 - G 1; DN 20 - G 1 ¼; DN 25 - G 1 ½)							G

Accessories⁴⁾

				Order number
Straight-wire box for connector M12x1 with cable	3-pole	200 cm		114605
Corner-wire box for connector M12x1 with cable	3-pole	200 cm		114604
Straight-wire box for connector M12x1 with cable	5-pole	200 cm	(with temperature)	114564
Corner-wire box for connector M12x1 with cable	5-pole	200 cm	(with temperature)	114563
Straight-wire box for connector M12x1 screwing terminal	5-pole			115024

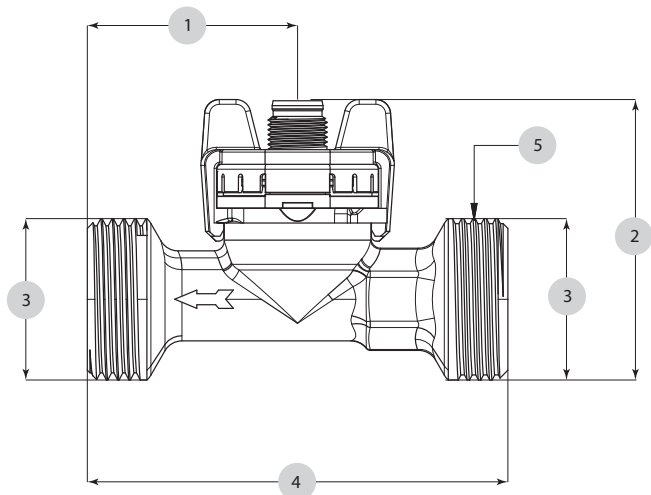
¹⁾ incl. 3xDi inlet and outlet side

²⁾ Pv in Pa; Q in l/min

³⁾ No drinking water approval

⁴⁾ Accessories supplied loose

Dimension diagram

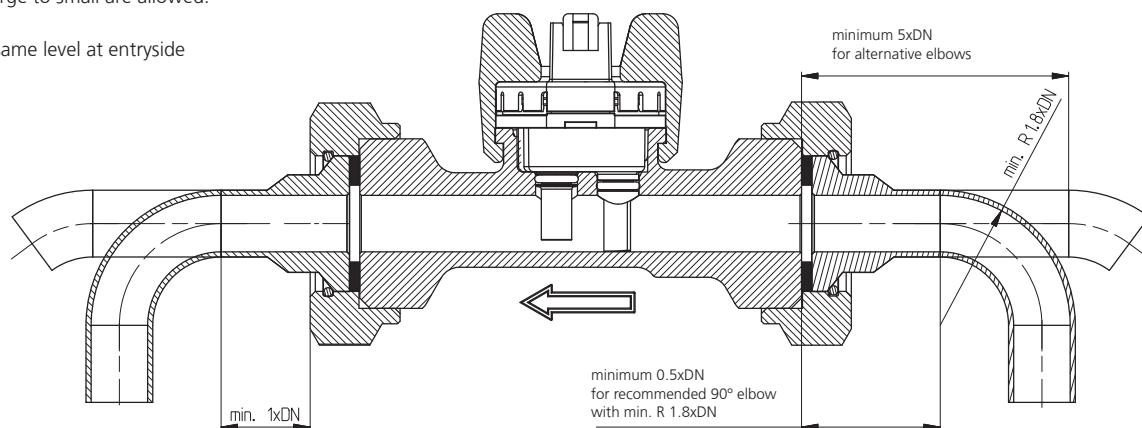


	1	2	3	4	5
DN10 K	43	51.1	G ½	86	↻ 19
DN10 M	43	54.1	G ¾	86	↻ 19
DN10 G	43	57.3	G 1	86	↻ 19
DN15 K	41	55.9	G ¾	87	↻ 22
DN15 G	41	59.3	G 1	87	↻ 22
DN20 K	40.6	61.6	G 1	105	↻ 27
DN20 G	40.6	65.6	G 1 ¼	105	↻ 27
DN25 K	50	68.1	G 1 ¼	120	↻ 34
DN25 G	50	71.1	G 1 ½	120	↻ 34
DN32 K	50	74.9	G 1 ½	134	↻ 41

Tube mounting instructions

Consider the following to ensure the correct function of the sensor.

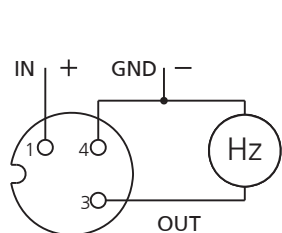
- Only diameter changes from large to small are allowed.
- Avoid repeated elbows in the same level at entryside



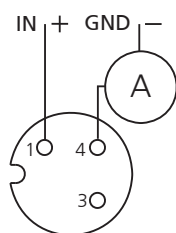
Electrical connection

Connector M12x1 without temperature measurement

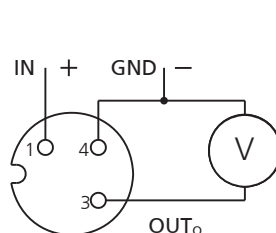
1



Frequency output



current output

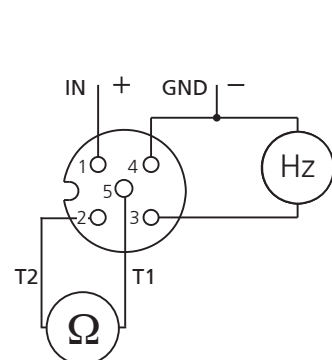


voltage output

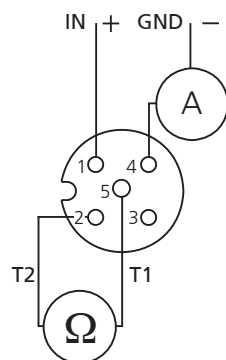
Pin	Colour
1	brown
3	blue
4	black
1	brown
2	white
3	blue
4	black
5	gray

Connector M12x1 with temperature measurement

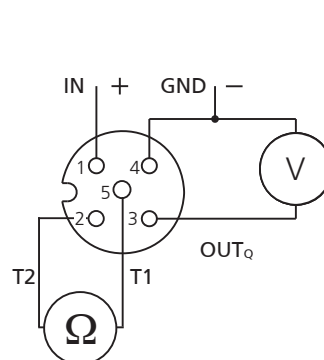
2



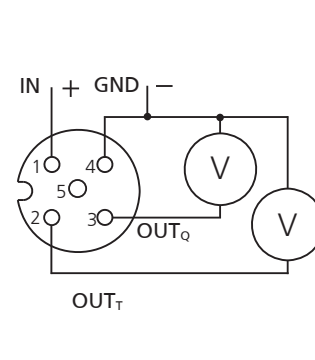
Frequency output with PT1000



current output with PT1000



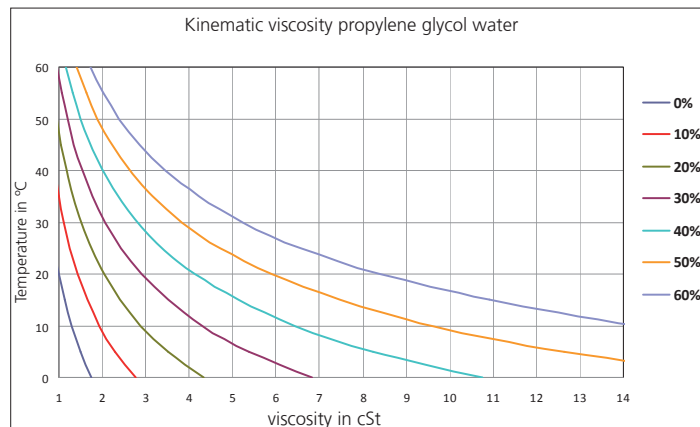
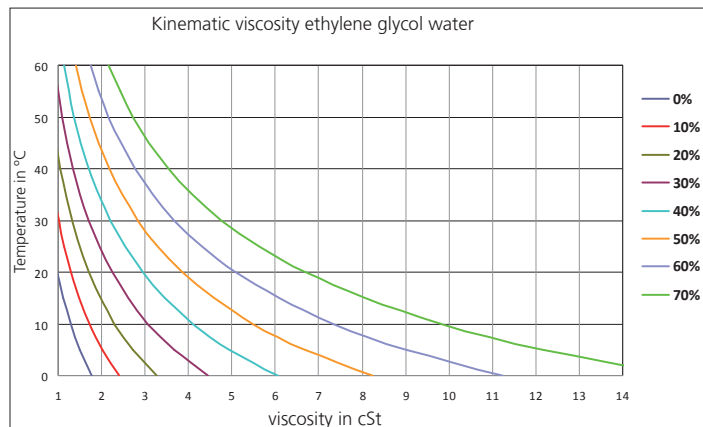
voltage output with PT1000



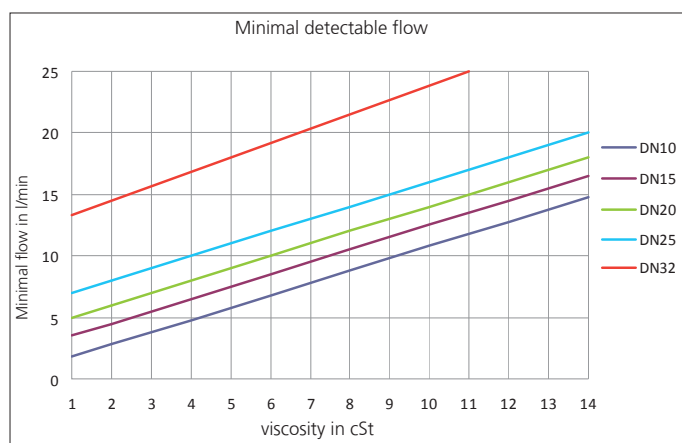
voltage output with temperature output 0 ...10 V

With the following definitions we are able to correct the influence of media with higher viscosity than water (= media viscosity > 1.8 cSt) in order to reach a measuring accuracy of 3% fs in the range of 1.8 - 4 cSt and of 4% in the range of 4 - 14 cSt (ν = viscosity in cSt).

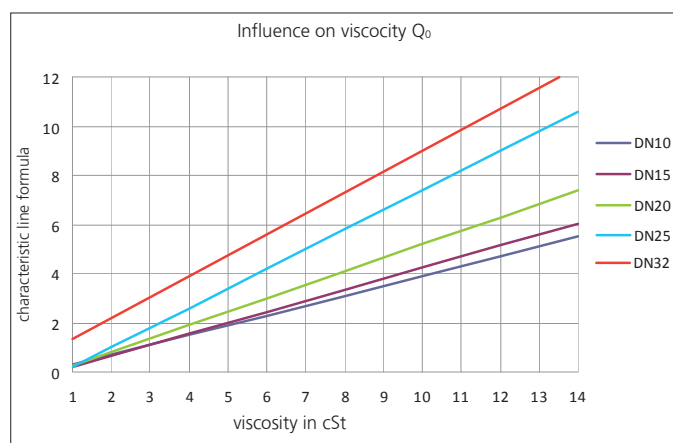
Definition of viscosity of glycol-water-compound



Definition of respond threshold Q_{min}



Definition of characteristic line formula $Q_v = k_f * f + Q_0$



Formula respond threshold Q_{min} in l/min < DN10 not possible

- DN10: $Q_{min} = \nu + 0.8$
- DN15: $Q_{min} = \nu + 2.5$
- DN20: $Q_{min} = \nu + 4$
- DN25: $Q_{min} = \nu + 8$
- DN32: $Q_{min} = \nu + 13$

Formula characteristic line for $Q \geq Q_{min}$ in l/min < DN10 not possible

- Frequency output:
- DN10: $Q = K_f * f - 0.40\nu + 0.20$
 - DN15: $Q = K_f * f - 0.45\nu + 0.25$
 - DN20: $Q = K_f * f - 0.55\nu + 0.25$
 - DN25: $Q = K_f * f - 0.80\nu + 0.60$
 - DN32: $Q = K_f * f - 0.85\nu - 0.55$

Voltage output 0 ... 10 V

- DN10: $Q = K_U * U_{out} - 0.40\nu + 0.40$
- DN15: $Q = K_U * U_{out} - 0.45\nu + 0.45$
- DN20: $Q = K_U * U_{out} - 0.55\nu + 0.55$
- DN25: $Q = K_U * U_{out} - 0.80\nu + 0.80$
- DN32: $Q = K_U * U_{out} - 0.85\nu + 0.85$

Current output 4 ... 20 mA (I in mA)

- DN10: $Q = K_I * (I - 4 \text{ mA}) - 0.40\nu + 0.40$
- DN15: $Q = K_I * (I - 4 \text{ mA}) - 0.45\nu + 0.45$
- DN20: $Q = K_I * (I - 4 \text{ mA}) - 0.55\nu + 0.55$
- DN25: $Q = K_I * (I - 4 \text{ mA}) - 0.80\nu + 0.80$
- DN32: $Q = K_I * (I - 4 \text{ mA}) - 0.85\nu + 0.855$

Huba Control AG
Headquarters

Industriestrasse 17
5436 Würenlos
Telefon +41 (0) 56 436 82 00
Telefax +41 (0) 56 436 82 82
info.ch@hubacontrol.com

Huba Control AG
Niederlassung Deutschland

Schlattgrabenstrasse 24
72141 Walddorfhäslach
Telefon +49 (0) 7127 23 93 00
Telefax +49 (0) 7127 23 93 20
info.de@hubacontrol.com

Huba Control SA
Succursale France

Rue Lavoisier
Technopôle Forbach-Sud
57602 Forbach Cedex
Téléphone +33 (0) 387 847 300
Télécopieur +33 (0) 387 847 301
info.fr@hubacontrol.com

Huba Control AG
Vestiging Nederland

Hamseweg 20A
3828 AD Hoogland
Telefoon +31 (0) 33 433 03 66
Telefax +31 (0) 33 433 03 77
info.nl@hubacontrol.com

Huba Control AG
Branch Office United Kingdom

Unit 13 Berkshire House
County Park Business Centre
Shrivenham Road
Swindon - Wiltshire SN1 2NR
Phone +44 (0) 1993 776667
Fax +44 (0) 1993 776671
info.uk@hubacontrol.com